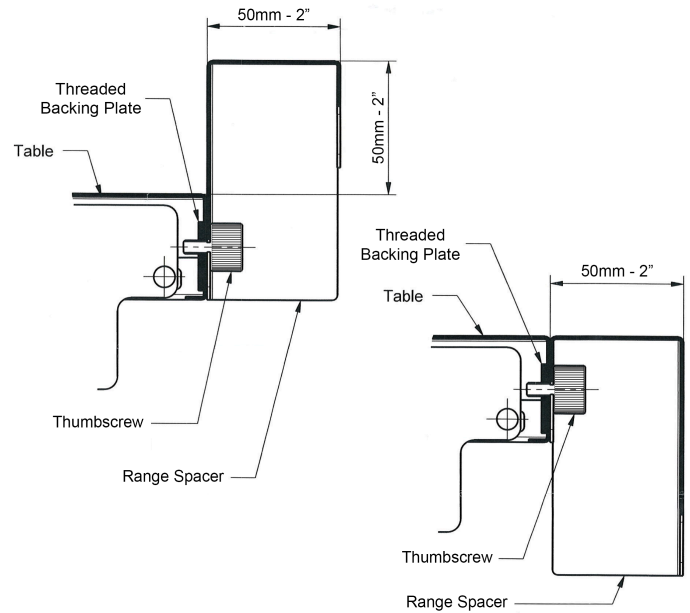
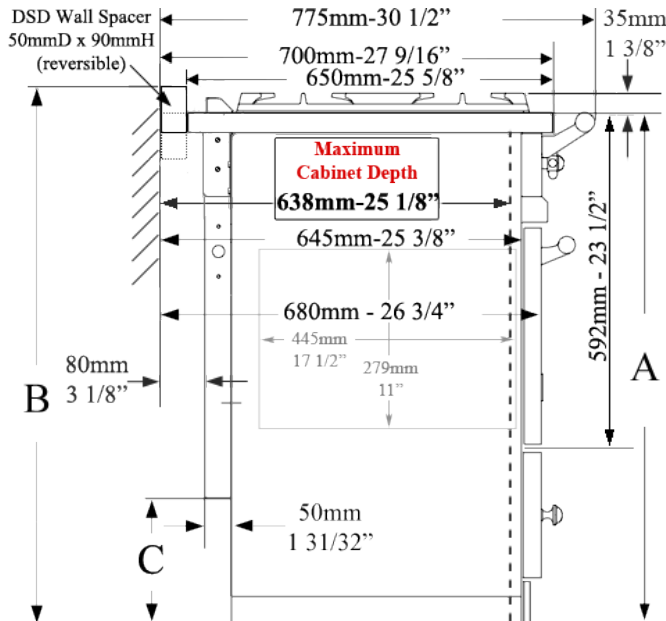


## Lacanche Cabinet Preparation



The 50mm range spacer is reversible using the alternate mounting holes on the opposite side of the spacer and the thumb screws provided, as shown above.

### RANGE HEIGHT TABLE

The Lacanche factory produces multiple base plinth heights in 15mm increments from 900mm to 1020mm. The two optional heights listed below do not require an additional charge. All other height options are a special order item. All range base height options are installed at the factory at the time of the range order.

Range Base Height *	A	B	C
<b>Default</b>	36" - 915mm (max 36 5/8")	38" - 965mm	7 1/4" - 185mm
<b>Optional</b>	36 5/8" - 930mm (max 37 3/16")	38 9/16" - 980mm	7 7/8" - 200mm

All final range height dimensions are variable with the use of the adjustable leveling components;  
Maximum added height for the leveling rollers & feet: 9/16" (14mm)

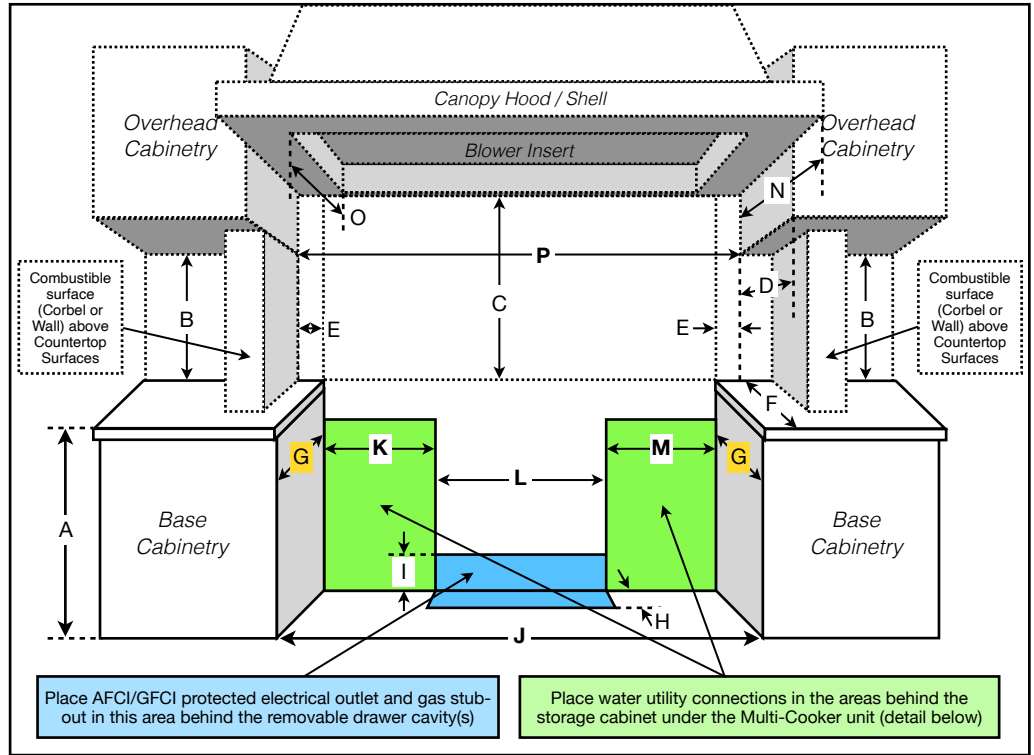
\*Several base plinth height options are available and directly effect the basic range chassis height. The two most common options are listed above and on each diagram table. More options are listed in the table below.  
To order your range with a taller height option: contact your salesperson at the time of the range order.

### Base Plinth Height Options

BASE PLINTH HEIGHT	CHASSIS HEIGHT		RANGE MODEL WIDTH							TOEKICK HEIGHT	
	METRIC (mm)	STANDARD (")	700	900	1000	1100	1400	1500	1800		2200
55mm	(915-929)	36" - 36 9/16"									85mm - 3 3/8"
70mm	(930-944)	36 5/8" - 37 3/16"									100mm - 3 7/8"
85mm	(945-959)	37 3/16" - 37 3/4"									115mm - 4 1/2"
100mm	(960-974)	37 13/16" - 38 11/32"									130mm - 5 1/8"
+	Taller base plinth height options are available - Please inquire with your salesperson at the time of order.										
	All leveling rollers & feet are adjustable by +14mm (+5/8")										
Color Legend:	SIL special order item, extra charge added			Default: No extra charge				Option 2: No extra charge			

**MULTI-COOKER CABINET PREPARATION** (only models with Multi-Cooker Option above a left or right Storage Cabinet):

WIDTH TABLE				
RANGE MODEL	J (Opening Width)	K	L	M
Chassagne	1110mm 43 11/16"	400mm 15 3/4"	705mm 27 3/4"	0mm 0"
Chambertin	1110mm 43 11/16"	0mm 0"	705mm 27 3/4"	400mm 15 3/4"
Cluny 1400 L	1410mm 55 1/2"	400mm 15 3/4"	1005mm 39 9/16"	0mm 0"
Chagny 1400 L	1410mm 55 1/2"	400mm 15 3/4"	1005mm 39 9/16"	0mm 0"
Cluny 1400 R	1410mm 55 1/2"	0mm 0"	1005mm 39 9/16"	400mm 15 3/4"
Chagny 1400 R	1410mm 55 1/2"	0mm 0"	1005mm 39 9/16"	400mm 15 3/4"
Fontenay	1510mm 59 7/16"	400mm 15 3/4"	705mm 27 3/4"	400mm 15 3/4"
Citeaux	1510mm 59 7/16"	400mm 15 3/4"	705mm 27 3/4"	400mm 15 3/4"
Cluny 1800	1810mm 71 1/4"	400mm 15 3/4"	1005mm 39 9/16"	400mm 15 3/4"
Chagny 1800	1810mm 71 1/4"	400mm 15 3/4"	1005mm 39 9/16"	400mm 15 3/4"
Sully 1800 L	1810mm 71 1/4"	400mm 15 3/4"	1405mm 55 5/16"	0mm 0"
Sully 1800 R	1810mm 71 1/4"	0mm 0"	1405mm 55 5/16"	400mm 15 3/4"
Sully 2200	2210mm 87"	400mm 15 3/4"	1405mm 55 5/16"	400mm 15 3/4"



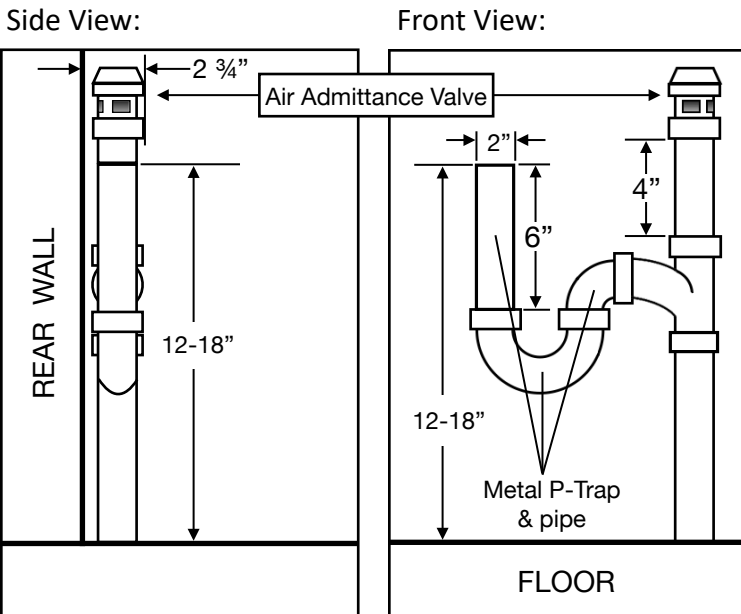
Range Height	A (min*)	B	C	D	E 1	F (max)	G (max)	H	I	J	K	L	M	N	O	P 1
Default	915mm 36"	457mm 18"	672mm to 914mm 30-36"	330mm 13"	100mm 4"	700mm 27 9/16"	637mm 25 1/8"	132mm 5 3/16"	185mm 7 1/4" 200mm 7 7/8"	See Width Table			750mm 29 1/2"	580mm 22 13/16"	J + 220mm 8 5/8"	
Optional	930mm 36 3/8"															

\* All final range height dimensions are variable with the use of the adjustable leveling components; Maximum added height for the leveling rollers & feet: 9/16" (14mm) A includes all available range base height options.  
 1 For optimum exhaust capture efficiency, the hood body outer width should be 8" (200mm) wider than the range width due to convection flare-out, as hot exhaust fumes and gases do not naturally rise in a straight vertical column.

**The Multi-Cooker option is supplied with:**

- [1] 5ft x 3/4" flexible drain hose w/ plastic wall-mounted securing elbow
- [1] 5ft x 3/4" FHT to 3/4" FHT supply hose

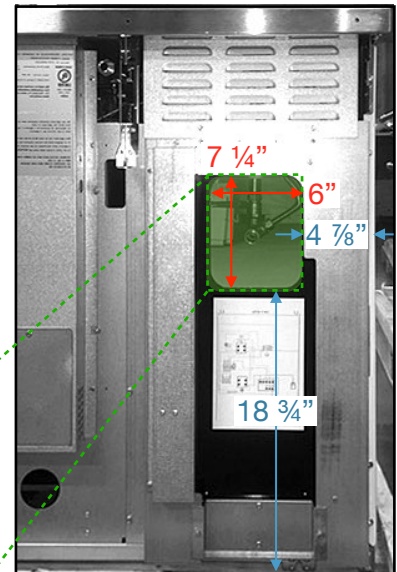
**Water Drain Detail (with 50mm range spacer installed):**



**Water Supply:**

To allow easy access to the water supply valve:  
 Place 3/4" MHT potable cold water Tap/Valve in the opening directly behind the cabinet under the Multi-Cooker unit (or in the space behind the adjacent drawer cavity).

The Multi-Cooker cabinet rear wall opening is:  
**6" x 7 1/4"**,  
 4 7/8" inward from the range side panel & 18 3/4" up from the range bottom.



**Please Note:**

- The 50mm (2") vented range spacer is required by UL to install a Lacanche range in the US.
- All depth measurements are with a 50mm (2") spacer installed.
- These ranges are designed to be freestanding, so there is no minimum adjacent base cabinet depth.
- Lacanche ranges can be manufactured with several available chassis height options (taller base plinths). These should be itemized on the range order to be installed by the factory. This should be discussed with the salesperson at the time of the range order.
- Gap filler panels are available for either side of freestanding units between the rear of the range chassis and the wall.
- Lacanche Hoods are not available for Island install applications, these hoods can only mount to a wall surface.
- Hood vent duct stub-outs can only be installed above the mounted hood body, through the wall or ceiling surface behind the duct cover (supplied).
- Hood vent duct diameter should meet or exceed the Blower Insert duct diameter (or equivalent), and the configuration of the ducting route through the house structure. Please consult your local HVAC tech for proper duct sizing.
- Ducting Wye Adapters will need to be purchased separately from the Blower Insert manufacturer.